

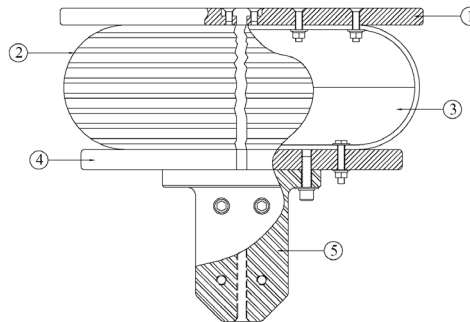
Profiler Stoppers

Application:

Stoppers clamp onto the mooring wire at the upper and lower limits of the planned profile to provide a physical back-up to the pressure-triggered stop command programmed in the firmware.

Stopper Specifications:

- Quickly attaches and releases from the wire with split bumper plates and a two-part line clamp.
- Stoppers are available for 3/16", 1/4" and 5/16" jacketed wire sizes
- Supports the Profiler during deployment and recovery.
- For more information about this product, see the McLane Profiler pages at mclanelabs.com.



LEGEND

1. Split Bumper Face Plate (UHMW)
2. Rubber Bumper
3. Foamex Polyurethane Filling
4. Split Bumper Back Plate (UHMW)
5. Two-Part Line Clamp